

Thermodynamic Steam Trap

TD-62

Thermodynamic Steam Traps with replaceable Seats (Screwed/Socket Weld)

Description :

The **TD62M** are maintainable high pressure thermodynamic steam traps with integral strainer and a replaceable seat to ease maintenance. They have been specifically designed for mains drainage applications up to 62 bar g.

An insulating cover is fitted as standard to prevent the trap being unduly influenced by excessive heat loss when subjected to low outside temperature, wind, rain, etc.

Sizes & Pipe Connections :-

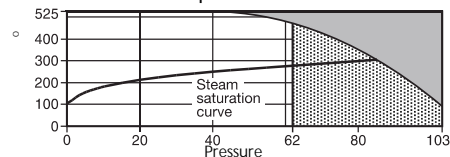
15 NB and 20 NB

Screwed BSPT/NPT & Socket Weldable ends

Note :

1. Available with CLASS - 150, 300 & 600 weld on flanges on request.
2. Available with IBR Certificate.

Pressure / temperature limits



- The product must not be used in this region.
- The product should not be used in this region or beyond its operating range as damage to the internals may occur.

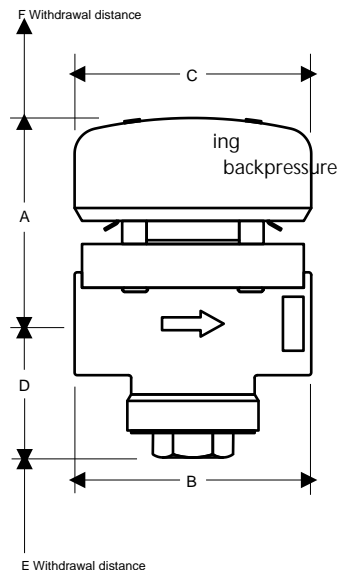
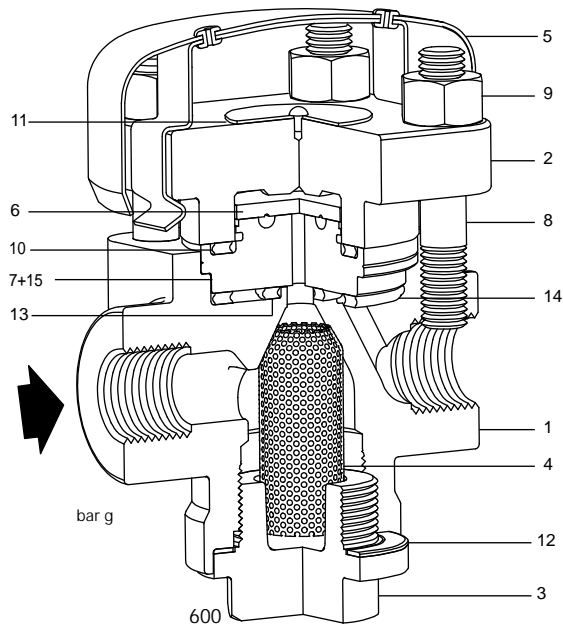
Body design conditions		ANSI
PMA	Maximum allowable pressure	103 bar g @ 93°C
TMA	Maximum allowable temperature	525°C @ 42.7 bar g
Minimum allowable temperature		0°C
PMO	Maximum operating pressure for steam service	62 bar g @ 482°C
TMO	Maximum operating temperature	525°C @ 42.7 bar g
Minimum operating temperature		0°C
PMOB	Maximum	TD62M operat 80% of upstream pressure
Minimum operating pressure TD62M		1.4 bar g

Designed for a maximum cold hydraulic test pressure of 155 bar g

Materials

SR. NO	PART	MATERIAL
1	BODY	STEEL ASTM A217 Gr WC6
2	COVER	STEEL ASTM A217 Gr WC6
3	STRAINER CAP	STEEL ASTM A217 Gr WC6
4	STRAINER SCREEN	STAINLESS STEEL ASTM A240 Gr 304
5	INSULATING COVER	ALUMINIUM
6	DISC	CHROMIUM STEEL BS4659 Gr. BD2
*7	SEAT	CHROMIUM STEEL BS4659 Gr. BD2
8	COVER STUDS	STEEL ASTM A193 Gr B16
9	COVER NUTS	STEEL ASTM A194 Gr 8M
10	COVER GASKET	SPIRALLY WOUND STAINLESS STEEL WITH EXFOLIATED GRAPHITE
11	NAME PLATE	STAINLESS STEEL
12	STRAINER CAP GASKET	REINFORCED EXFOLIATED GRAPHITE
13	INNER SEAT GASKET	SPIRALLY WOUND STAINLESS STEEL WITH EXFOLIATED GRAPHITE
14	OUTER SEAT GASKET	SPIRALLY WOUND STAINLESS STEEL WITH EXFOLIATED GRAPHITE
*15	FERRULE	STAINLESS STEEL

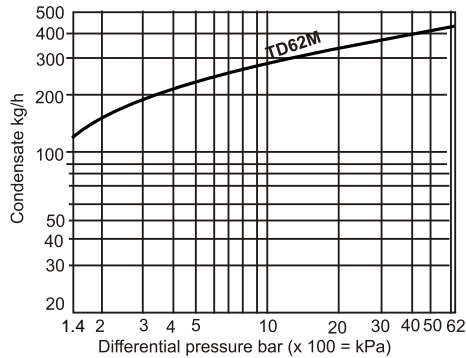
*Note: Item 15 (ferrule) is pressed into item 7 (seat)



Dimensions / weights (approximate) in mm and kg

Size	A	B	C	D	E	F	Weight
15NB80	92	92	52	20	51	51	2.08
20NB80	92	92	52	20	51	51	2.08

Capacities



Installation

Preferably install in horizontal pipelines with insulating cover upper although it can be fitted in other positions.

After 24 hours in service the cover nuts should be checked for tightness. Separate installation and maintenance instructions give full details.

Spare parts

The spare parts available are shown in solid outline. Parts drawn in broken line are not supplied as spares.

Available spares

Insulating cover	5
Set of cover studs and nuts (set of 4)	8, 9
Seat and disc assembly	6, 7, 10, 13, 14, 15
Strainer screen	4
Set of gasket (packet of 3 sets)	10, 12, 13, 14
Strainer cap gasket (3 off)	12

Recommended tightening torques

Item No.	or mm	N m
3	32 A/F	142 - 158
8	M10 x 1.5	20 - 25
9	17 A/F	45 - 50

How to order:

Example

15NB MMKE Valves TD62M Thermodynamic Trap with integral strainer having screwed BSPT connections

How to order spares:

Always order spares by using the description given in the column headed available spares.

Example : 1- Strainer Screen for MMKE Valves TD 62M Steam Trap

